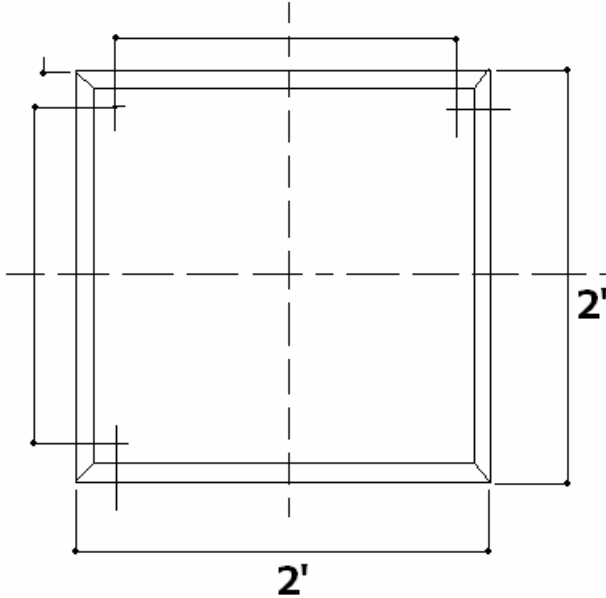
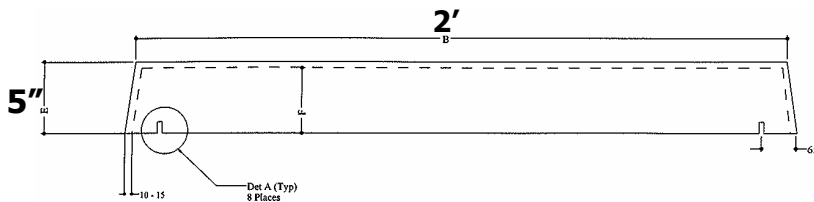
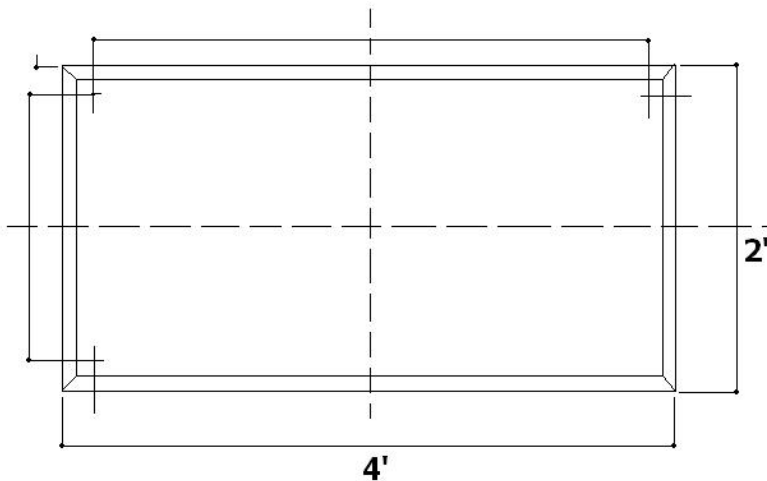


MODEL FF130-2x2



MODEL FF130-2x4



Model Number	Inside Height	Outside Width	Outside Length
FF130-2x2	5"	27"	29"
FF130-2x4	5"	28"	52"

Performance Data

For Use:

- Floor/Ceiling assemblies
- Suspended ceilings
- Lay-in tile ceilings



Fire Tested to BS 476: Part 23: 1987
Test Report No.: A04038 / Chiltern Int. Fire

General Information

Benefits:

- 60 minute protection.
- Fits most popular fluorescent fixtures.
- Suitable for lay-in tile ceilings.
- Lightweight (approx. 7 and 10 lbs).
- Easy Installation - can be fitted in seconds - no screws, drilling or additional sealant required.
- Enhances the acoustic protection of the ceiling.
- Reduces heat loss through the fixture.
- Maintenance free.
- Cable entry points can be made anywhere on the top and sides for ease of wiring of the fixture.

Manufactured By

Tenmat Inc

23 Copper Drive
Newport, DE 19804
Phone: (302) 633-6600
Fax: (302) 633-6838
Email: info@tenmatusa.com
www.tenmatusa.com